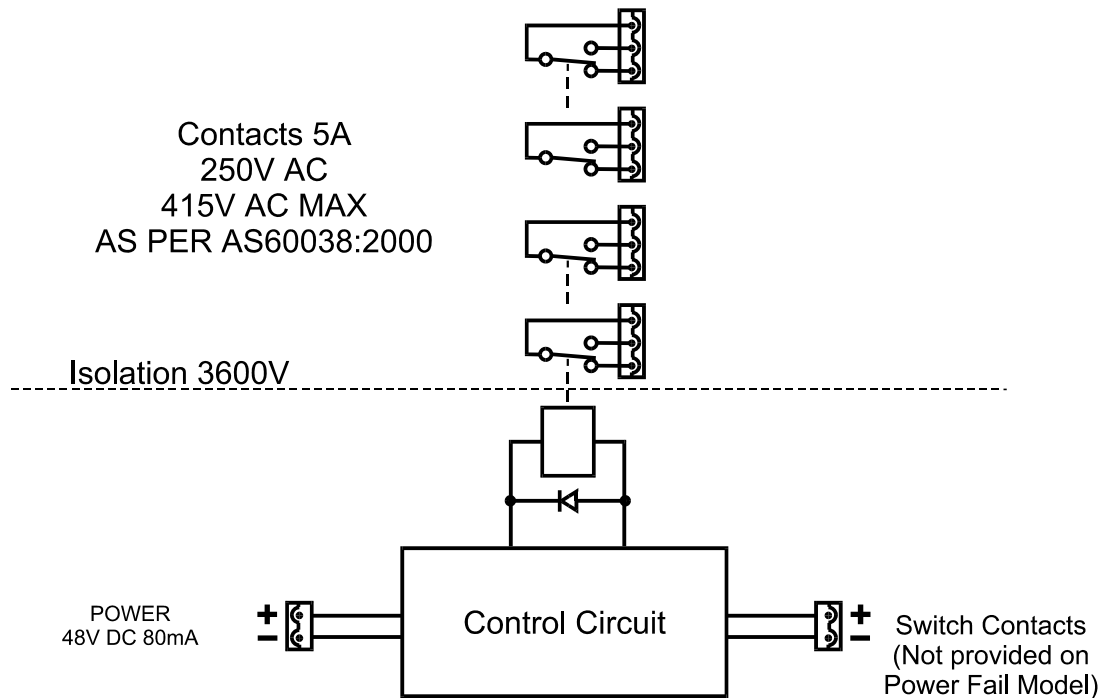


ISOLATION SLAVE RELAY UNIT

MODEL PF-4923 4PDT

POWER FAIL FOUR POLE DOUBLE THROW CHANGE-OVER

The PF-4923 4PDT is an ACA approved isolation relay set for redirecting circuits to alternate paths if the power is removed from the unit. Other configurations are available (Consult Factory).



Enclosure Dimensions: W 225 mm x H 180 mm x D 100 mm

Part Number: PF-4923 4PDT 48V

Link: <http://www.design2000.com.au/products.php?product=131&category=23>

ACA Supplier's Code: N468

design2000
Est. 1968

Telephone: 03 9758 5933

Facsimile: 03 9758 5560

Email: gen@design2000.com.au

Web site: www.design2000.com.au